

Temperature range*	18°C to 40°C
%RH *	50% to 75% at set points of 25°C, 30°C & 40°C
Temperature uniformity	± 1°C
% RH control	± %3
Temperature control at sensor	± 0.2°C
Control resolution	± 0.1°C
Cooling/Heating type	Thermoelectric/Peltier driven-for heating/Cooling
Chamber Volume in Cu. Ft	43.2 cu.ft
External Dimension-LXWXH	51"×31"×81" (refer to drawing)
Internal Dimension-LXWXH	47" x 27" x 60" (refer to drawing)- height includes plenum which is 5"H.
Shelf dimension	23.5" x 24.5"
Cabinet specs	Stainless interior and exterior construction
Lights	LED light
Electrical requirement	115V/60hz/1ph, Unit plugs into standard wall outlet.
Shelf quantity, type	6 per chamber/ additional shelves available, wire shelf- PVC coated with 4 installation clips. Shelf capacity- 100 lbs distributed load.
Weight specs	Chamber weight- 340 lbs Shipping weight- 390 lbs

\*Specifications are based on 20°C ambient and standard voltage. Specifications are subject to change without notice.

#### Chamber options:

- Chart recorder
- Additional shelving
- RO/DI water filtration system
- Water carboy

#### Chamber features:

Canden stability testing chamber is capable of maintaining stable temperature set points of 25°C, 30°C & 40°C and corresponding relative humidity set points of 60%RH (@25°C), 65%RH (@30°C) and 75% RH (@40°C) with exceptional precision. The chamber has a wide operating temperature range of 18°C to 40°C maintaining a stable temperature across the entire range. This chamber provides outstanding stability testing performance for manufacturers of pharmaceuticals, biologics, food, and personal care products. Candan stability chambers' performance meets [ICH Q1A general case guidelines](#) for pharmaceutical stability testing.

Chamber is designed with horizontal airflow for uniform sample exposure. Chamber interior and exterior are made out of stainless steel. Chamber has 2" thick CFC free insulation providing good thermal gradient. Door locks are standard in doors. Chambers comes with 2" access port with insulation plug. Chamber also includes pre-installed casters capable of supporting 150-200lbs per caster.

Chamber uses thermoelectric assembly for heating and cooling. This type of cooling/heating system completely eliminates need for conventional refrigeration system and failures due to mechanical components such as compressors thereby drastically increasing the life expectancy of each chamber. Maintenance cost is also lowered by the thermoelectric/Peltier driven heating/cooling system. The chamber is quiet in operation. Back wall plenum on chambers ensures uniform distribution of conditioned air. Chamber temperature setpoints are tightly controlled using PID controller. Fuji controller is utilized in the chamber. L certified parts are used in chamber. Temp and % RH sensors are factory calibrated. Calibration certificate will be provided with each chamber.

#### Standard Temperature control features:

- LED Display of PV/SV, PID Control for stable temperature maintenance
- Simplifies Controller Management with Easy-to-Operate Graphic User Interface
- Provides Access to Advanced Scripting Capabilities
- Visually interpret thermal data
- Control access via software, export data in csv format
- 2 programmable alarm

#### Standard Humidity control features:

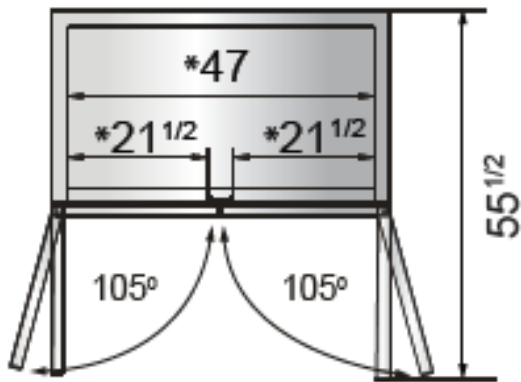
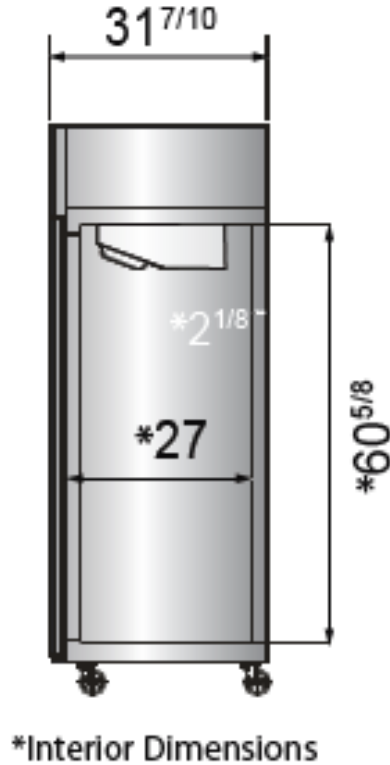
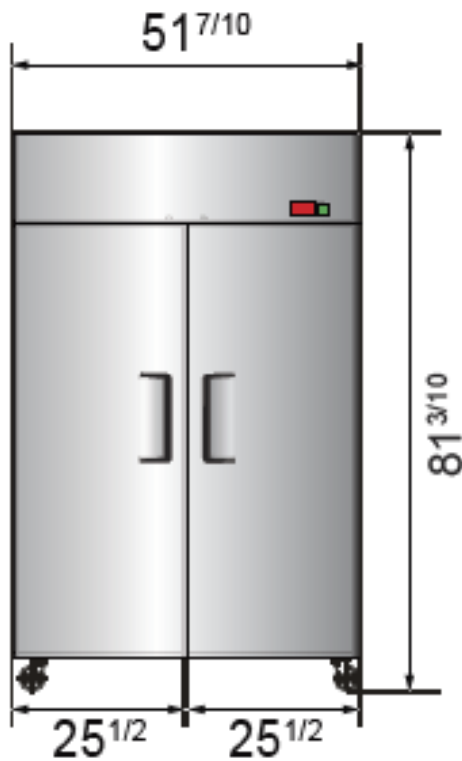
- 3% accuracy over the entire input range-displays PV/SV.
- On/off controller is standard. if you need PID controller with tighter control up to 1% RH- please contact us.
- Dual alarm outputs with 10+ activation methods/situation
- High brightness, large LED display

**Humidity system:**

Humidity control is optional. Humidity range is achieved via additive ultrasonic humidification, a controller with with factory calibrated %RH sensor. Humidifier is installed typically in the rear of the chamber and can be easily serviced or replaced. RO/DI system is recommended but not required as long as the water quality specification is met. Tap water should be fine. The humidifier comes with a 15' 1/4" polytube, shut off valve and quick disconnect fittings as well as a fitting to connect to water faucet.

**Water quality specification:**

Water conductivity greater then 0.1  $\mu$ S, TDS of < 10 ppm and works in operating pressure range from 10psi to 80 psi



**SELF-CLOSING  
AND STAY OPEN  
DOOR FEATURE**