

Temperature range*	4°C to 60°C (Lights on)
%RH (optional)*	20% to 90% RH as limited by dew points
Temperature uniformity	± 1°C
% RH control (optional)	± 3%
Temperature control at sensor	± 0.2°C
Control resolution	± 0.1°C
Cooling/Heating type	Thermoelectric/Peltier driven-for heating/Cooling
Chamber Volume in Cu. Ft	43.2 cu.ft
External Dimension-LXWXH	51"×31"×81" (refer to drawing)
Internal Dimension-LXWXH	47" x 27" x 60" (refer to drawing)- height includes plenum which is 5"H.
Shelf dimension	23.5" x 24.5"
Cabinet specs	Stainless interior and exterior construction
Lights/Growth height	LED lights with timer. 3 level of lights- 100µmol/m2/s/ grow height- 12" to 48"
Electrical requirement	115V/60hz/1ph/10a, Unit plugs into standard wall outlet.
Shelf quantity, type	6 per chamber/ additional shelves available, wire shelf- PVC coated with 4 installation clips. Shelf capacity- 100 lbs distributed load.
Weight specs	Chamber weight- 340 lbs Shipping weight- 390 lbs

*Specifications are based on 20°C ambient and standard voltage. Specifications are subject to change without notice.

Chamber options:

- Chart recorder
- Additional shelving
- Outlets
- Extended temperature ranges
- RO/DI water filtration system
- Water carboy
- Dehumidifier

Chamber features:

The GC40 two door plant growth chamber is designed for botanical and agricultural research applications including seed germination studies, plant pathology, and generic plant research. Chamber design accommodates plant, animal and culture studies, research and growth. Chamber features a digital Watlow, Fuji or equivalent PID temperature control and display along with precision PT100 RTD temperature sensor and RH sensor. UL listed parts.

Light Features:

Grasslin digital light timer which enables multiple timer setting per day/7 days a week. Chamber also comes with optional PWM Featured Manual light dimming feature. There is optional outlets inside the chamber to enable user to plug in other devices.

3 level of lighting is standard. LED Grow Light for Indoor Plants, Sun-Like Full Spectrum Panel Plant Light with IR & UV LED Bulbs for Seedling/Veg/Blooming/Succulents. Chamber has 2" thick CFC free insulation providing good thermal gradient. Door locks are standard in doors. Chambers comes with 2" access port with insulation plug. Chamber also includes pre-installed casters capable of supporting 150-200lbs per caster.

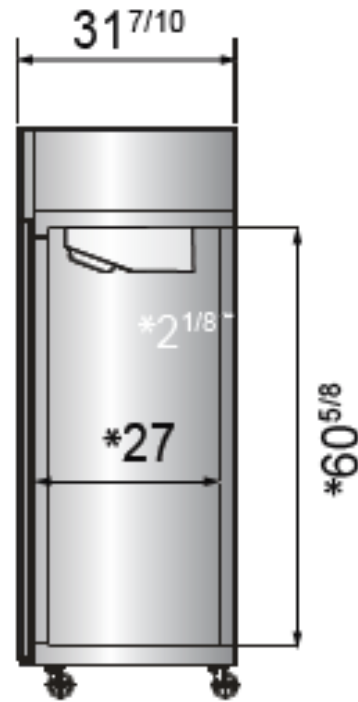
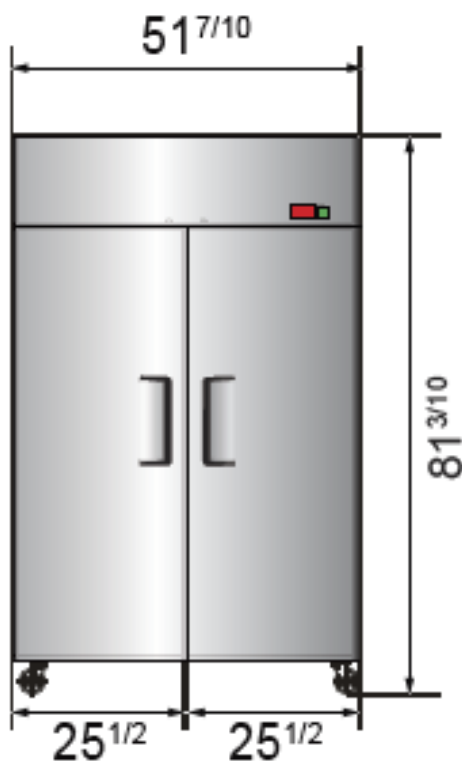
Chamber uses thermoelectric assembly for heating and cooling. This type of cooling/heating system completely eliminates need for conventional refrigeration system and failures due to mechanical components such as compressors thereby drastically increasing the life expectancy of each chamber. Maintenance cost is also lowered by the thermoelectric/Peltier driven heating/cooling system. The chamber is quiet in operation. Back wall plenum on chambers ensures uniform distribution of conditioned air

Humidity system:

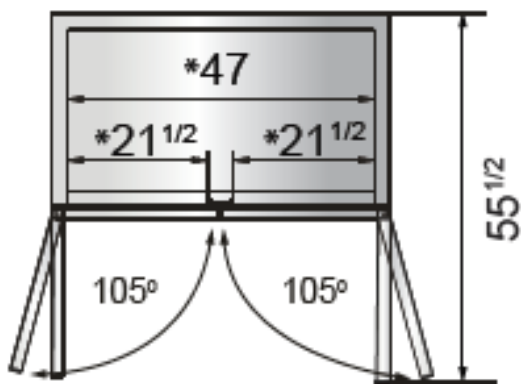
Humidity range is achieved via additive ultrasonic humidification, a controller with with factory calibrated %RH sensor. Humidifier is installed typically in the rear of the chamber and can be easily serviced or replaced. RO/DI system is recommended but not required as long as the water quality specification is met. Tap water should be fine. The humidifier comes with a 15' ¼" polytube, shut off valve and quick disconnect fittings as well as a fitting to connect to water faucet.

Water quality specification:

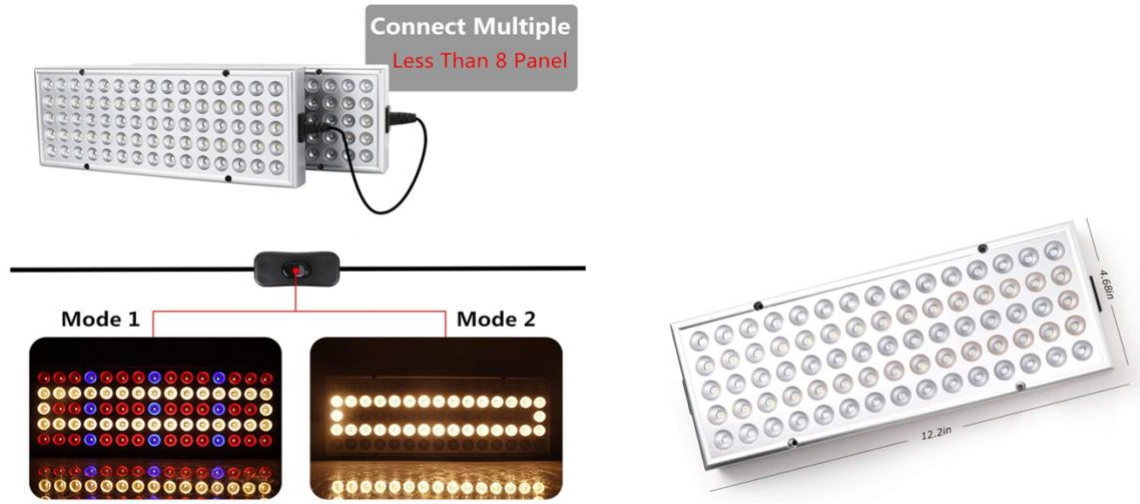
Water conductivity greater then 0.1 µS,TDS of < 10 ppm and works in operating pressure range from 10psi to 80 psi



*Interior Dimensions



SELF-CLOSING
AND STAY OPEN
DOOR FEATURE



SUITABLE FOR ALL GROWTH STAGE

